

Monocrystalline Solar Module

350W-380W Mono

166MM Cell 120 Half-cell Layout

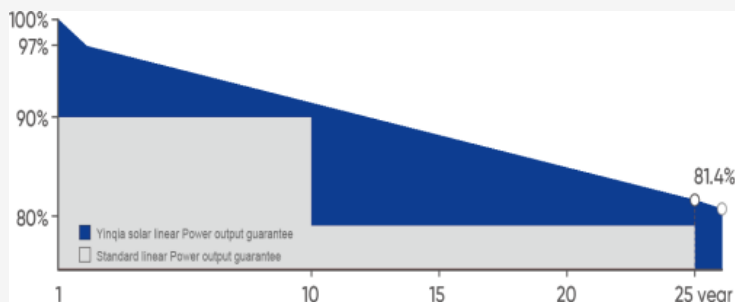
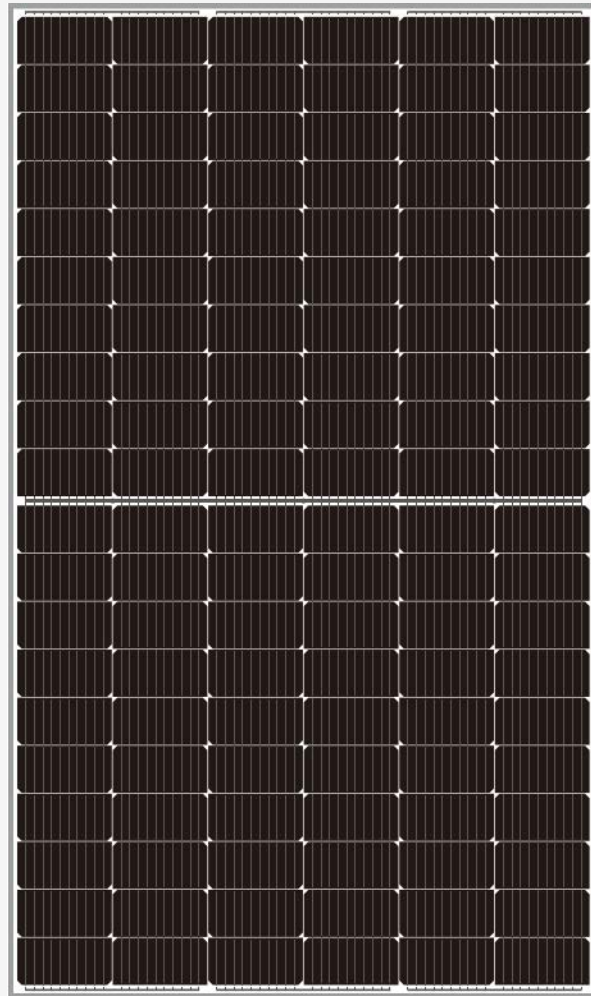
黄山银洽新能源 YinQia SOLAR

Features

- ◆ High cell efficiency with quality silicon material for long term output stability and reliability
- ◆ Rigorous quality control to meet highest international standards
- ◆ High transmittance low iron tempered glass with enhanced Stiffness and impact resistance
- ◆ Unique frame design with high mechanical strength for easy installation
- ◆ Advanced encapsulation material with multiplayer sheet lamination to provide efficient protection from the severest environmental conditions
- ◆ Outstanding electrical performance under high temperature and low irradiance conditions

Applications

- ◆ Any large or small on-grid or off-grid solar power stations
- ◆ Commercial and industrial building roof-top systems
- ◆ Residential roof-top systems
- ◆ Any commercial or industrial ground mount systems
- ◆ Other industrial or commercial applications



Linear performance Warranty

12
YEARS

Quality
Warranty

25
YEARS

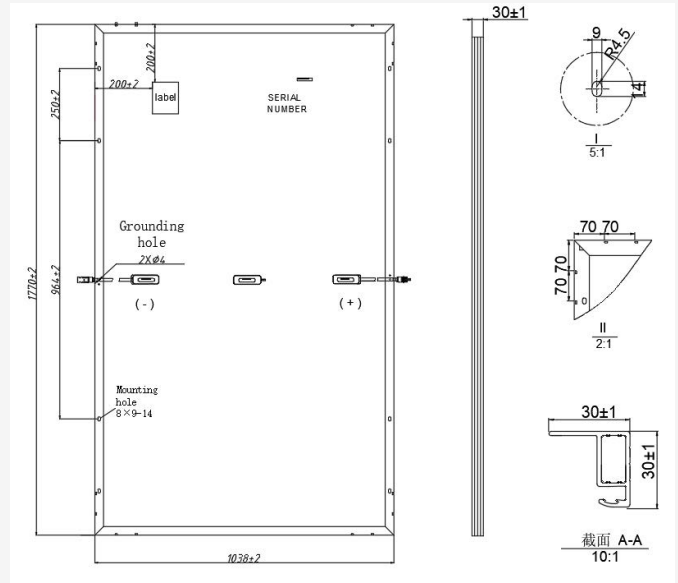
Power
Warranty



- . ISO9001:2015QMS
- . ISO14001:2015EMS
- . ISO45001:2018OHSMS
- . IEC/EN 61215, IEC/EN 61730 Standard

MECHANICAL CHARACTERISTICS

Solar Cells	Mono
NO.of Cells	120(6×20)
Dimensions	1770×1038×30mm
Weight	21kgs
Front Glass	3.2mm coated tempered glass
Frame	Anodized aluminium alloy
Junction Box	Ip68 rated(3 by pass diodes)
Output Cables	4.0mm ²
	300mm
	Length can be customized
Connectors	Mc4 compatible
Mechanical load test	5400Pa



ELECTRICAL PARAMETERS

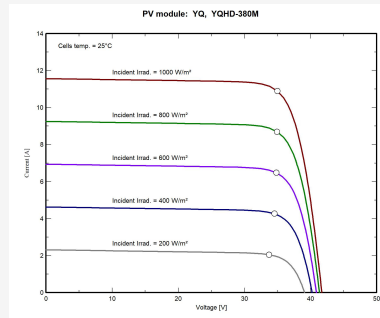
POWER CLASS	YQHD-350M		YQHD360M		YQHD-370M		YQHD-375M		YQHD-380M	
	STC	NOCT	STC	NOCT	STC	NOCT	STC	NOCT	STC	NOCT
Maximum power (Pmax)	350W	263W	360W	270W	370W	278W	375W	281W	380W	285W
Open Circuit Voltage (Voc)	40.5V	37.78V	40.9V	38.24V	41.3V	38.69V	41.5V	38.92V	41.7V	39.14V
Short Circuit Current (Isc)	11.02A	9.14A	11.2A	9.29A	11.37A	9.44A	11.48A	9.51A	11.56A	9.58A
Voltage at Maximum power (Vmpp)	33.3V	30.97V	33.7V	31.34V	34.1V	31.71V	34.3V	31.9V	34.5V	32.09V
Current Maximum Power (Impp)	10.52A	8.48A	10.69A	8.61A	10.86A	8.75A	10.93A	8.82A	11.02A	8.88A
MODULE EFFICIENCY (%)	19.0		19.5		20.0		20.3		20.6	

STC:Irradiance 1000W/m²,cell temperature 25°C,AM 1.5G NOCT:Irradiance 800W/m²,ambient temperature 20°C,wind speed 1m/s,AM 1.5G

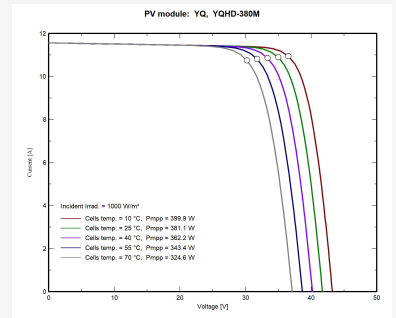
PACKING CONFIGURATION

Container	20'GP	40'HQ
Pieces per pallet	36	36+36
Pallets per container	10	12
Pieces per container	360	864
Dimension/Pallet	1100×1138 mm	1830×1138 mm
Gross weight/pallet	778Kg	1556Kg

I-V CURVE



YQHD-380M/I-V



OPERATING CHARACTERISTICS

Operating Module Temperature	-40°C to +85°C
Maximum System Voltage	1500 DC (IEC)
Maximum Series Fuse Rating	20A
Power Tolerance	0/+5W

TEMPERATURE CHARACTERISTICS

Nominal Operating Temperature (NOCT)	45±2°C
Temperature Coefficient of Pmax	-0.36%°C
Temperature Coefficient of Voc	-0.28%°C
Temperature Coefficient of Isc	+0.05%°C

Note: Due to continuous technical innovation, R&D and improvement ,technical data above mentioned may be of modification accordingly. YQ SOLAR have the sole right to make such modification at anytime without further notice.